

SYSTEM ELTOLA

ELastic TOrsion LA bearing is the combination of noiseless and low wear. The elastic torsion bearing replaces the conventional chains existing sliding pivot with a friction free connection. The relative movement between adjacent links is guided over the elastic torsion bearing.

In the angular motion is through this design with ELTOLA a torque transferred between the adjacent chain links, which increases starting from the neutral zero position with increasing twist angle. As a result a progressive damping of the polygon movement and a low noise, extremely quiet running is achieved.

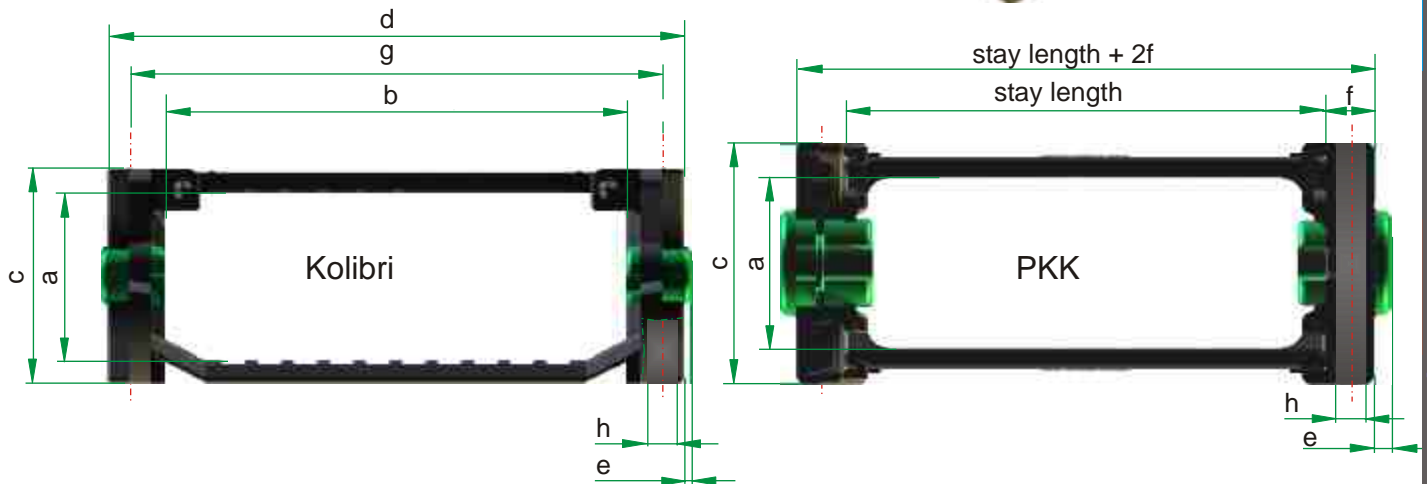
All ekd plastic chains may be equipped with the SYSTEM ELTOLA.

ELTOLA is designed for applications with fast and noise-sensitive and large acceleration movements.



order example:

PKK 220 / 200 x 3510 / 100 ELTOLA
 type / radius x length / stay length variant



ELTOLA	bend radius R		pitch	a	b	c	d	e	f	g	h	stay length [mm]				
Kolibri 30.050	75	100	35	23	34	30	50	1	-	40	5	-				
Kolibri 30.060	75	100	35	23	44	30	50	1	-	40	5	-				
Kolibri 30.080	75	100	35	23	64	30	50	1	-	40	5	-				
Kolibri 30.095	75	100	35	23	79	30	50	1	-	40	5	-				
Kolibri 30.125	75	100	35	23	109	30	50	1	-	40	5	-				
Kolibri 40.062	75	100	45	29	47	40	62	1	-	54	5	-				
Kolibri 40.075	75	100	45	29	60	40	75	1	-	67	5	-				
PKK 210	100	150	65	34	-	50	-	3,5	(see PKK)			-				
PKK 220	75	100	125	150	200	250	300	65	34	-	50	-	3,5	(see PKK)		
PKK 240	75	100	150	200	250	300	65	44	-	60	-	3,5	(see PKK)			
PKK 310, 320	300		90	51	-	75	-	3,5	(see PKK)			-				
PKK 340	200		90	60	-	85	-	3,5	(see PKK)			-				